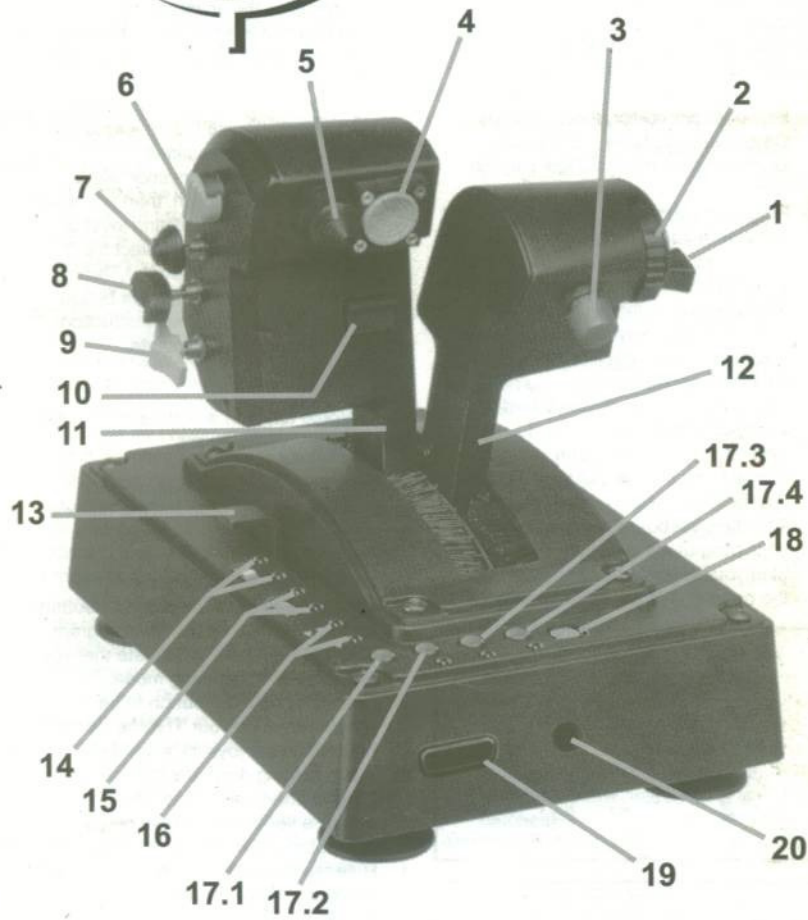




## Quick Start Guide



**SUNCOM**

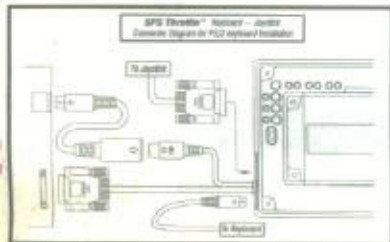
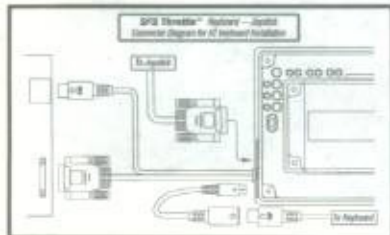
Visit Our Web Site At: <http://www.suncominc.com>

## QUICK START GUIDE

This Quick Start Guide will get your Throttle up and running in just minutes. If you are new to computers or joystick devices, please read through our detailed installation instructions in the User Guide. The full installation instructions are entitled "Strike Fighter Series Throttle Installation from the Ground Up."

### Hardware Installation

1. Turn off your computer.
2. Remove the keyboard plug from your computer.
3. Plug the Throttle's joystick connector into your computer's joystick port.
4. If you have a mini-din (6 pins) keyboard connector, follow step 5a. Otherwise, you have a din (5 pin) keyboard connector. Follow step 5b next.
- 5a. Plug the keyboard extension cable that came with your Throttle into your computer's keyboard port. Next, plug your Throttle's keyboard connector into the open end of this extension cable. Then plug your keyboard's connector into the back of your Throttle's keyboard connector.
- 5b. If you have a 5-pin din keyboard connector, plug the keyboard extension cable that came with your Throttle into the back of your Throttle's keyboard connector. Next, plug your Throttle's keyboard connector into your computer's keyboard port. Then plug your keyboard's connector into the open end of the extension cable.



that came with your Throttle.

6. Plug your joystick's cable connector into the Throttle base joystick connector.
7. Turn on your computer.

### Throttle Setup in Windows '95

The Throttle's throttle function in Windows '95 must be used in conjunction with a joystick controller such as Suncom's F-15E Talon. Windows '95 refers to the throttle function as the 3rd axis.

1. Double-click **My Computer**.
2. Double-click **Control Panel**.
3. Double-click the Joystick icon.
4. If you have a joystick with a throttle control function setup on Windows '95 the Strike Fighter Series Throttle will replace that joystick's throttle function. Click the **Calibrate** button and follow the on-screen instructions.
5. If you do not have a joystick with a throttle control function, then you must add an axis to your existing joystick setup in Windows '95. Select the 3 axis option to implement the Throttle function. Click the **Calibrate** button and follow the on-screen instructions.
6. After calibration is complete, Click **Apply**.

The Throttle function is now ready for us with your favorite software.

### Throttle Programming Basics

*note:* If you want to program the buttons of your joystick, press the Throttle's Internal/External

Switch until the LED illuminates.

1. Press and release the program button on the Throttle's base. The program LED will illuminate to indicate that you are in the programming mode.
2. Press and hold the button to be programmed on your Throttle (or the button on your joystick's handle).
3. While holding down the button to be programmed, press and release any one or a sequence of keys on your computer's keyboard (up to six keys)
4. Release the button to be programmed on your Throttle (or button on your joystick).
5. Repeat steps 2 through 4 as desired until your Throttle and/or joystick is completely programmed.
6. Press and release the program button on your Throttle's base to return to the run mode. The program LED will go off.